

C6E200VII, 250VII, 250VLII, C6E250HLII

Truck specifications					C6E200VII	C6E250VII	C6E250VLII	C6E250HLII
Identification	1.1	Manufacturer			Toyota	Toyota	Toyota	Toyota
	1.2	Model			C6E200VII	C6E250VII	C6E250VLII	C6E250HLII
	1.3	Drive			Electric	Electric	Electric	Electric
	1.4	Operator type			driver seated	driver seated	driver seated	driver seated
	1.5	Load capacity/rated load	Q	kg	2000	2500	2500	2500
	1.6	Load centre	c	mm	500	500	500	600
	1.8	Load distance, centre of drive axle to fork	x	mm	420	420	420	440
	1.9	Wheelbase	y	mm	1575	1575	1735	1735
	Weight	2.1	Service weight		kg	4318	4736	5087
2.2		Axle load, with load, front/rear		kg	5295 / 1024	6235 / 1001	6298 / 1290	6706 / 1096
2.3		Axle load, without load, front/rear		kg	2126 / 2192	2274 / 2462	2472 / 2615	2717 / 2585
Tyres	3.1	Tyres: C=Cushion, SE=Super elastic, PN=Pneumatic, TW=Twin			SE	SE	SE	SE
	3.2	Tyre size, front (SE)			23x9-10	23x9-10	23x9-10	23x10-12
	3.3	Tyre size, rear (SE)			18x7-8	18x7-8	18x7-8	18x7-8
	3.5	Wheels, number front/rear (x = driven wheels)			2x/2	2x/2	2x/2	2x/2
	3.6	Track width, front	b ₁₀	mm	986	986	986	946
	3.7	Track width, rear	b ₁₁	mm	940	940	940	940
	Dimensions	4.1	Tilt of mast/fork carriage forward/backward			a/b deg	4,25/8	4,25/8
4.2		Height, mast lowered			h ₁ mm	2235	2235	2355
4.3		Free lift			h ₂ mm	120	120	125
4.4		Lift			h ₃ mm	3300	3300	3300
		Lift height			h ₂₃ mm	3345	3345	3345
4.5		Height, mast extended			h ₄ mm	3979	3979	3950
4.7		Height of overhead guard			h ₆ mm	2215	2215	2215
4.8		Seat height/stand height			h ₇ mm	1230	1230	1230
4.12		Coupling height			h ₁₀ mm	460	460	460
4.19		Overall length			l ₁ mm	3280	3280	3440
4.20		Length to face of forks			l ₂ mm	2280	2280	2453
4.21		Overall width			b ₁ mm	1195	1195	1195
4.22		Fork dimensions			s/e/l mm	40/100/1000	40/100/1000	40/100/1000
4.23		Fork carriage DIN 15 173, class/type A, B				IIA	IIA	IIA
4.24		Fork-carriage width			b ₃ mm	1070	1070	1070
4.31		Ground clearance, with load, below mast			m ₁ mm	95	95	95
4.32		Ground clearance, centre of wheelbase			m ₂ mm	132	132	132
4.33		Aisle width for pallets 1000x1200 crossways			A _{st} mm	3646	3646	3796
4.34	Aisle width for pallets 800x1200 lengthways			A _{st} mm	3845	3845	4008	
4.35	Turning radius			W ₉ mm	2025	2025	2175	
4.36	Internal turning radius			b ₁₃ mm	529	529	545	
Performance data	5.1	Travel speed, with/without load, Standard Performance			km/h	16/16 19/20	16/16 19/20	16/16 19/20
	5.2	Lift speed, with/without load, Standard Performance			m/s	0,43/0,60 0,46/0,63	0,38/0,60 0,46/0,63	0,38/0,60 0,46/0,63
	5.3	Lowering speed, with/without load			m/s	0,56/0,45	0,56/0,45	0,56/0,45
	5.5	Drawbar pull, with/without load, Standard Performance			N	8000 10000	8000 10000	8000 10000
	5.6	Max. drawbar pull, with/without load, Standard Performance			N	18000 20000	18000 20000	18000 20000
	5.7	Gradeability, with/without load, Standard Performance			%	16/26 23/29	14/24 20/29	13/21 19/29
	5.8	Max. gradeability, with/without load. Standard Performance			%	26/29 31/29	20/29 25/29	20/29 25/29
	5.9	Acceleration time, with/without load, Standard Performance			s	4,8/4,5 4,4/4,2	5,0/4,7 4,5/4,2	5,0/4,7 4,6/4,2
	5.10	Service brake				mech./hydr.	mech./hydr.	mech./hydr.
	Electric motor	6.1	Drive motor rating S2 60 min, Standard Performance			kW	16,1 21,4	16,1 21,4
6.2		Lift motor rating S3 15%, Standard Performance			kW	17,3 16,7	17,3 16,7	N.A. 16,7
6.3		Battery acc. to DIN 43 531/35/36 A, B, C, no				DIN 43536 A	DIN 43536 A	DIN 43536 A
6.4		Battery voltage, nominal capacity K _s			V/Ah	80/500	80/560	80/700
6.5		Battery weight			kg	1210	1558	1863
6.6		Energy consumption acc. to EN16796:2016, Standard Performance			kWh/h	5,8 5,4	6,3 5,8	6,4 5,9
Other	8.1	Type of drive control				AC	AC	AC
	8.2	Operating pressure for attachments			bar	160	160	160
	8.3	Oil volume for attachments			l/min	40	40	40
	8.4	Sound level at the driver's ear according to EN 12 053			dB(A)	64,9	64,9	64,9

All data are based on table configuration. Other configurations may give other values. Products and specifications are subject to change without notice.

Mast dimensions and rated capacities

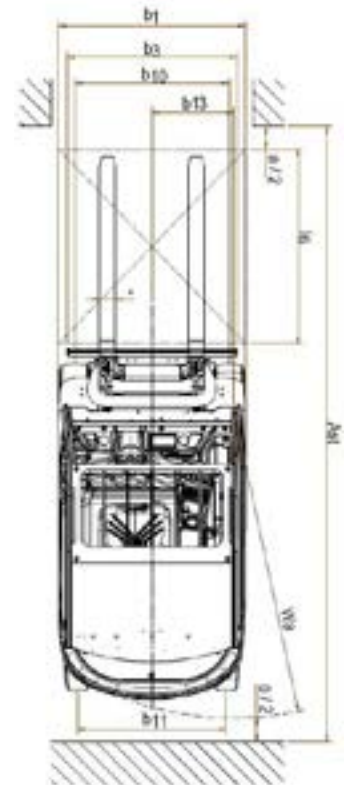
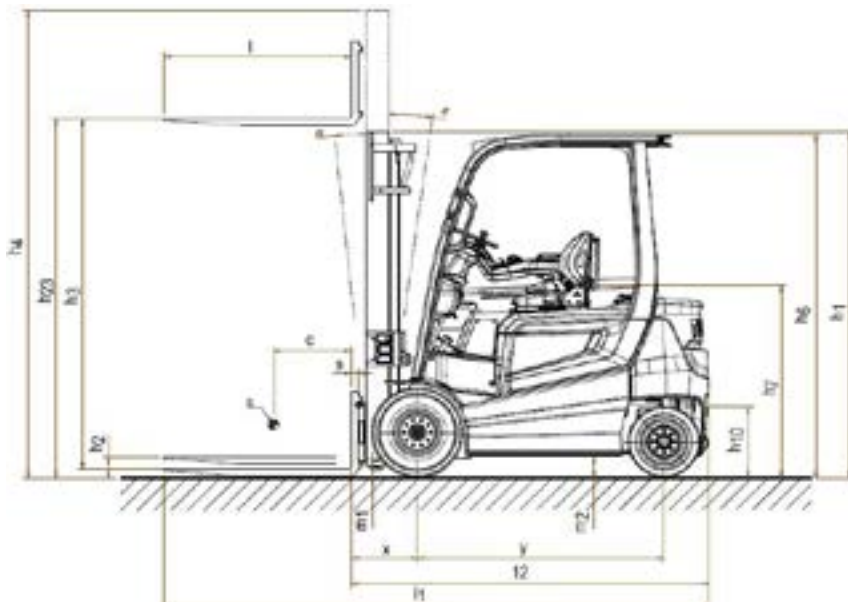
Model			V					FV				FW				FSV				FSW							
C6E200V(L)II,250V(L)II	Lift height	h_{23}	3040	3340	3740	4040	4540	3040	3340	3740	4040	3040	3340	3740	4040	4340	4740	5040	5540	6040	6540	4390	4740	5040	5540	6040	6540
	Lift	h_3	3000	3300	3700	4000	4500	3000	3300	3700	4000	3000	3300	3700	4000	4300	4700	5000	5500	6000	6500	4350	4700	5000	5500	6000	6500
	Height, mast lowered	h_1	2135	2235	2585	2835	3085	2135	2235	2585	2835	2105	2235	2505	2655	2135	2235	2395	2585	2835	3085	2105	2205	2305	2505	2655	2855
	Height, mast extended ¹⁾	h_4	3679	3979	4395	4795	5295	3674	3974	4374	4674	3605	3905	4305	4605	4974	5374	5674	6174	6674	7174	4955	5305	5605	6105	6605	7105
	Height, mast extended ²⁾	h_4	4220	4520	4920	5220	5720	4289	4589	4989	5289	4220	4520	4920	5220	5589	5989	6289	6789	7289	7789	5570	5920	6220	6720	7220	7720
	Free lift, without load backrest	h_2	120	120	120	120	120	1501	1601	1951	2201	1500	1630	1900	2050	1461	1561	1721	1911	2161	2411	1500	1600	1700	1900	2050	2250
	Free lift, with load backrest	h_2	120	120	120	120	120	886	986	1336	1586	925	1055	1325	1475	886	986	1146	1336	1586	1836	925	1025	1125	1325	1475	1675
C6E250HLII	Lift height	h_{23}	3045	3345	3745	4045	4545	3045	3345	3745	4045	3045	3345	3745	4045	4345	4735	5045	5545	6045	6545	4395	4745	5045	5545	6045	6545
	Lift	h_3	3000	3300	3700	4000	4500	3000	3300	3700	4000	3000	3300	3700	4000	4300	4690	5000	5500	6000	6500	4350	4700	5000	5500	6000	6500
	Height, mast lowered	h_1	2205	2355	2555	2755	3055	2135	2255	2585	2835	2205	2355	2550	2755	2135	2235	2395	2585	2835	3085	2205	2305	2405	2555	2755	2955
	Height, mast extended ¹⁾	h_4	3650	3950	4350	4715	5265	3730	4030	4430	4730	3655	3955	4355	4655	4930	5320	5630	6130	6630	7130	5000	5350	5650	6150	6650	7150
	Height, mast extended ²⁾	h_4	4215	4515	4915	5215	5715	4295	4595	4995	5295	4220	4520	4920	5220	5495	5885	6195	6695	7195	7695	5565	5915	6215	6715	7215	7715
	Free lift, without load backrest	h_2	125	125	125	125	125	1405	1525	1855	2105	1565	1715	1915	2115	1505	1605	1765	1955	2205	2455	1555	1655	1755	1905	2105	2305
	Free lift, with load backrest	h_2	125	125	125	125	125	885	1005	1335	1585	1030	1180	1380	1580	985	1085	1245	1435	1685	1935	1035	1135	1235	1385	1585	1785

1) Without load backrest.

2) With load backrest (optional); Height of load backrest is 1220 mm.

Pneumatic shaped cushion tyre			V					FV				FW				FSV				FSW						
C6E200VII	Tilt range, forward	deg	4,25	4,25	4,25	4,25	4,25	4,25	4,25	4,25	4,25	4,25	4,25	4,25	4,25	4,25	4,25	4,25	4,25	4,25	4,25	4,25	4,25	4,25	4,25	
	Tilt range, backward ¹⁾	deg	8	8	8	8	6	8	8	8	8	8	8	8	8	6	6	6	6	6	6	6	6	6	6	
	Load capacity at 500 mm LC	kg	2000	2000	2000	2000	2000	2000	2000	2000	2000	2000	2000	2000	2000	2000	2000	2000	1950	1950	1850	2000	2000	2000	1950	1950
C6E250VII	Tilt range, forward	deg	4,25	4,25	4,25	4,25	4,25	4,25	4,25	4,25	4,25	4,25	4,25	4,25	4,25	4,25	4,25	4,25	4,25	4,25	4,25	4,25	4,25	4,25	4,25	
	Tilt range, backward ¹⁾	deg	8	8	8	8	6	8	8	8	8	8	8	8	8	6	6	6	6	6	6	6	6	6	6	
	Load capacity at 500 mm LC	kg	2500	2500	2500	2500	2500	2500	2500	2500	2500	2500	2500	2500	2500	2500	2450	2400	2300	2200	2000	2500	2450	2400	2300	2200
C6E250VLII	Tilt range, forward	deg	4,25	4,25	4,25	4,25	4,25	4,25	4,25	4,25	4,25	4,25	4,25	4,25	4,25	4,25	4,25	4,25	4,25	4,25	4,25	4,25	4,25	4,25	4,25	
	Tilt range, backward	deg	8	8	8	8	6	8	8	8	8	8	8	8	8	6	6	6	6	6	6	6	6	6	6	
	Load capacity at 500 mm LC	kg	2500	2500	2500	2500	2500	2500	2500	2500	2500	2500	2500	2500	2500	2500	2500	2500	2500	2450	2180	2500	2500	2500	2500	2500
C6E250HLII	Tilt range, forward	deg	4,25	4,25	4,25	4,25	4,25	4,25	4,25	4,25	4,25	4,25	4,25	4,25	4,25	4,25	4,25	4,25	4,25	4,25	4,25	4,25	4,25	4,25	4,25	
	Tilt range, backward ¹⁾	deg	8	8	8	8	6	8	8	8	8	8	8	8	8	6	6	6	6	6	6	6	6	6	6	
	Load capacity at 600 mm LC	kg	2500	2500	2500	2500	2500	2500	2500	2500	2500	2500	2500	2500	2500	2500	2500	2500	2450	2370	2300	2500	2500	2500	2450	2370

1) Backward tilt range is 6deg on trucks with a cabin or front windshield.



Underclearance		
Mast, load	mm	95
Drive axle, load	mm	113
Steer axle, no load	mm	122
Center of wheel base, load	mm	132
Counterweight, no load	mm	110

C6E300VII, C6E300VLII, 350VII, C6E300HLII

Truck specifications					C6E300VII	C6E300VLII	C6E300HLII	C6E350VII
Identification	1.1	Manufacturer			Toyota	Toyota	Toyota	Toyota
	1.2	Model			C6E300VII	C6E300VLII	C6E300HLII	C6E350VII
	1.3	Drive			Electric	Electric	Electric	Electric
	1.4	Operator type			driver seated	driver seated	driver seated	driver seated
	1.5	Load capacity/rated load	Q	kg	3000	3000	3000	3500
	1.6	Load centre	c	mm	500	500	600	500
	1.8	Load distance, centre of drive axle to fork	x	mm	440	440	440	440
	1.9	Wheelbase	y	mm	1575	1735	1735	1735
Weight	2.1	Service weight		kg	5335	5365	5651	5721
	2.2	Axle load, with load, front/rear		kg	7287 / 1048	7340 / 1025	7491 / 1160	8106 / 1115
	2.3	Axle load, without load, front/rear		kg	2496 / 2839	2714 / 2651	2705 / 2946	2709 / 3012
Tyres	3.1	Tyres: C=Cushion, SE=Super elastic, PN=Pneumatic, TW=Twin			SE	SE	SE	SE
	3.2	Tyre size, front (SE)			23x10-12	23x10-12	23x10-12	315/45-12
	3.3	Tyre size, rear (SE)			18x7-8	18x7-8	200/50-10	200/50-10
	3.5	Wheels, number front/rear (x = driven wheels)			2x/2	2x/2	2x/2	2x/2
	3.6	Track width, front	b ₁₀	mm	946	946	946	1009
	3.7	Track width, rear	b ₁₁	mm	940	940	962	962
	Dimensions	4.1	Tilt of mast/fork carriage forward/backward	a/b	deg	4,25/8	4,25/8	4,25/8
4.2		Height, mast lowered	h ₁	mm	2395	2395	2355	2395
4.3		Free lift	h ₂	mm	125	125	125	125
4.4		Lift	h ₃	mm	3300	3300	3300	3300
		Lift height	h ₂₃	mm	3345	3345	3345	3345
4.5		Height, mast extended	h ₄	mm	4035	4035	3950	4035
4.7		Height of overhead guard	h ₆	mm	2215	2215	2215	2215
4.8		Seat height/stand height	h ₇	mm	1230	1230	1230	1230
4.12		Coupling height	h ₁₀	mm	460	460	460	460
4.19		Overall length	l ₁	mm	3328	3460	3681	3488
4.20		Length to face of forks	l ₂	mm	2328	2460	2481	2488
4.21		Overall width	b ₁	mm	1195	1195	1195	1299
4.22		Fork dimensions	s/e/l	mm	45/100/1000	45/100/1000	45/125/1200	45/125/1000
4.23		Fork carriage DIN 15 173, class/type A, B			IIIA	IIIA	IIIA	IIIA
4.24		Fork-carriage width	b ₃	mm	1070	1070	1070	1070
4.31		Ground clearance, with load, below mast	m ₁	mm	95	95	95	95
4.32		Ground clearance, centre of wheelbase	m ₂	mm	132	132	132	132
4.33		Aisle width for pallets 1000x1200 crossways	A _{st}	mm	3679	3816	3834	3841
4.34	Aisle width for pallets 800x1200 lengthways	A _{st}	mm	3878	4015	4033	4040	
4.35	Turning radius	W _a	mm	2038	2175	2200	2200	
4.36	Internal turning radius	b ₁₃	mm	529	545	545	545	
Performance data	5.1	Travel speed, with/without load, Standard Performance		km/h	16/16 19/20	16/16 19/20	16/16 19/20	16/16 19/20
	5.2	Lift speed, with/without load, Standard Performance		m/s	0,34/0,52 0,40/0,55	0,34/0,52 0,40/0,55	N.A. 0,40/0,55	N.A. 0,37/0,55
	5.3	Lowering speed, with/without load		m/s	0,56/0,45	0,56/0,45	0,56/0,45	0,56/0,45
	5.5	Drawbar pull, with/without load, Standard Performance		N	8000 10000	8000 10000	8000 10000	8000 10000
	5.6	Max. drawbar pull, with/without load, Standard Performance		N	18000 20000	18000 20000	18000 20000	18000 20000
	5.7	Gradeability, with/without load, Standard Performance		%	12/20 17/29	12/20 17/29	11/19 16/27	10/18 15/26
	5.8	Max. gradeability, with/without load, Standard Performance		%	19/29 23/29	19/29 23/29	18/29 23/29	17/29 20/29
	5.9	Acceleration time, with/without load, Standard Performance		s	5,2/4,8 4,7/4,2	5,2/4,8 4,8/4,2	5,3/4,9 4,8/4,3	5,3/5,0 4,9/4,3
	5.10	Service brake			mech./hydr.	mech./hydr.	mech./hydr.	mech./hydr.
	Electric motor	6.1	Drive motor rating S2 60 min, Standard Performance		kW	16,1 21,4	16,1 21,4	16,1 21,4
6.2		Lift motor rating S3 15%, Standard Performance		kW	17,3 16,7	17,3 16,7	N.A. 16,7	N.A. 16,7
6.3		Battery acc. to DIN 43 531/35/36 A, B, C, no			DIN 43536 A	DIN 43536 A	DIN 43536 A	DIN 43536 A
6.4		Battery voltage, nominal capacity K _s		V/Ah	80/560	80/700	80/700	80/700
6.5		Battery weight		kg	1558	1863	1863	1863
6.6		Energy consumption acc. to EN16796:2016, Standard Performance		kWh/h	7,2 6,7	7,2 6,7	N.A. 7,2	N.A. 7,6
Other	8.1	Type of drive control			AC	AC	AC	AC
	8.2	Operating pressure for attachments		bar	160	160	160	160
	8.3	Oil volume for attachments		l/min	40	40	40	40
	8.4	Sound level at the driver's ear according to EN 12 053		dB(A)	64,9	64,9	64,9	64,9

All data are based on table configuration. Other configurations may give other values. Products and specifications are subject to change without notice.

Truck performance and dimensions are nominal and subject to tolerances.

Mast dimensions and rated capacities

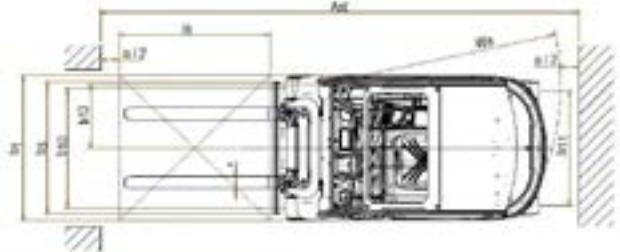
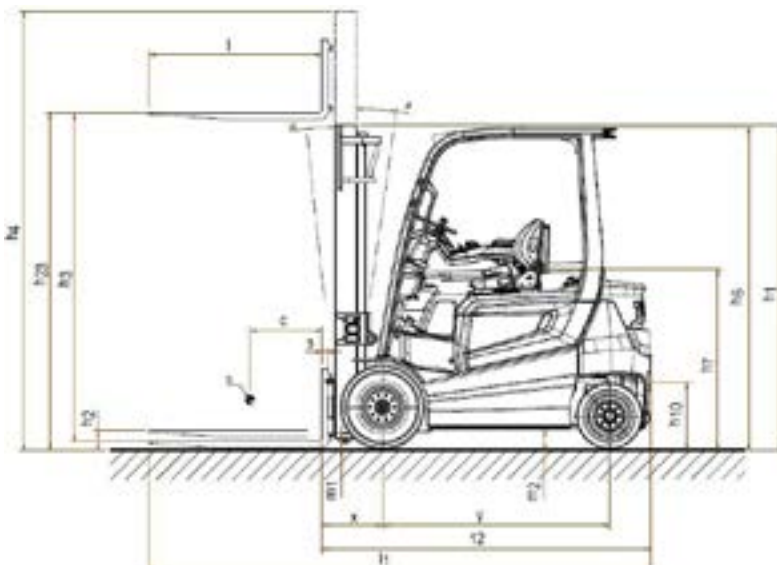
Model			V					FV				FW				FSV					FSW						
C6E300V(L)II	Lift height	h_{23}	3005	3345	3745	4045	4545	3045	3345	3745	4045	3045	3345	3745	4045	4345	4765	5045	5545	6045	6545	4395	4745	5045	5545	6045	6545
	Lift	h_3	2960	3300	3700	4000	4500	3000	3300	3700	4000	3000	3300	3700	4000	4300	4690	5000	5500	6000	6500	4350	4700	5000	5500	6000	6500
	Height, mast lowered	h_1	2215	2395	2585	2835	3085	2135	2255	2585	2835	2205	2355	2550	2755	2135	2235	2395	2585	2835	3085	2205	2305	2405	2555	2755	2955
	Height, mast extended ¹⁾	h_4	3695	4035	4435	4795	5295	3730	4030	4430	4730	3655	3955	4355	4655	4930	5320	5630	6130	6630	7130	5000	5350	5650	6150	6650	7150
	Height, mast extended ²⁾	h_4	4260	4560	4960	5260	5760	4295	4595	4995	5295	4220	4520	4920	5220	5495	5885	6195	6695	7195	7695	5565	5915	6215	6715	7215	7715
	Free lift, without load backrest	h_2	125	125	125	125	125	1405	1525	1855	2105	1565	1715	1915	2115	1505	1605	1765	1955	2205	2455	1555	1655	1755	1905	2105	2305
	Free lift, with load backrest	h_2	125	125	125	125	125	885	1005	1335	1585	1030	1180	1380	1580	985	1085	1245	1435	1685	1935	1035	1135	1235	1385	1585	1785
C6E300H(L)I	Lift height	h_{23}	3045	3345	3745	4045	4545	3045	3345	3745	4045	3045	3345	3745	4045	4345	4735	5045	5545	6045	6545	4395	4745	5045	5545	6045	6545
	Lift	h_3	3000	3300	3700	4000	4500	3000	3300	3700	4000	3000	3300	3700	4000	4300	4700	5000	5500	6000	6500	4350	4700	5000	5500	6000	6500
	Height, mast lowered	h_1	2205	2355	2555	2755	3055	2215	2395	2835	3085	2205	2355	2550	2755	2215	2395	2585	2835	3085	3335	2205	2305	2405	2555	2755	2955
	Height, mast extended ¹⁾	h_4	3650	3950	4350	4715	5265	3730	4030	4430	4730	3655	3955	4355	4655	5030	5430	5730	6230	6730	7230	5000	5350	5650	6150	6650	7150
	Height, mast extended ²⁾	h_4	4215	4515	4915	5215	5715	4295	4595	4995	5295	4220	4520	4920	5220	5595	5995	6295	6795	7295	7795	5565	5915	6215	6715	7215	7715
	Free lift, without load backrest	h_2	125	125	125	125	125	1485	1665	2105	2355	1565	1715	1915	2115	1485	1665	1855	2105	2355	2605	1555	1655	1755	1905	2105	2305
	Free lift, with load backrest	h_2	125	125	125	125	125	965	1145	1585	1835	1030	1180	1380	1580	965	1145	1335	1585	1835	2085	1035	1135	1235	1385	1585	1785
C6E350V(L)I	Lift height	h_{23}	3005	3345	3745	4045	4545	3045	3345	3745	4045	3045	3345	3745	4045	4345	4745	5045	5545	6045	6545	4395	4745	5045	5545	6045	6545
	Lift	h_3	2960	3300	3700	4000	4500	3000	3300	3700	4000	3000	3300	3700	4000	4300	4700	5000	5500	6000	6500	4350	4700	5000	5500	6000	6500
	Height, mast lowered	h_1	2215	2395	2585	2835	3085	2215	2395	2835	3085	2205	2355	2550	2755	2215	2395	2585	2835	3085	3335	2205	2305	2405	2555	2755	2955
	Height, mast extended ¹⁾	h_4	3695	4035	4435	4795	5295	3730	4030	4430	4730	3655	3955	4355	4655	5030	5430	5730	6230	6730	7230	5000	5350	5650	6150	6650	7150
	Height, mast extended ²⁾	h_4	4260	4560	4960	5260	5760	4295	4595	4995	5295	4220	4520	4920	5220	5595	5995	6295	6795	7295	7795	5565	5915	6215	6715	7215	7715
	Free lift, without load backrest	h_2	125	125	125	125	125	1485	1665	2105	2355	1565	1715	1915	2115	1485	1665	1855	2105	2355	2605	1555	1655	1755	1905	2105	2305
	Free lift, with load backrest	h_2	125	125	125	125	125	965	1145	1585	1835	1030	1180	1380	1580	965	1145	1335	1585	1835	2085	1035	1135	1235	1385	1585	1785

1) Without load backrest.

2) With load backrest (optional); Height of load backrest is 1220 mm.

Pneumatic shaped cushion tyre			V					FV				FW				FSV					FSW					
C6E300V(L)I	Tilt range, forward	deg	4,25	4,25	4,25	4,25	4,25	4,25	4,25	4,25	4,25	4,25	4,25	4,25	4,25	4,25	4,25	4,25	4,25	4,25	4,25	4,25	4,25	4,25	4,25	
	Tilt range, backward ¹⁾	deg	8	8	8	8	6	8	8	8	8	8	8	8	8	6	6	6	6	6	6	6	6	6	6	
	Load capacity at 500 mm LC	kg	3000	3000	3000	3000	3000	3000	3000	3000	3000	3000	3000	3000	3000	3000	2950	2880	2700	2550	2340	3000	2950	2880	2700	2550
C6E300V(L)II	Tilt range, forward	deg	4,25	4,25	4,25	4,25	4,25	4,25	4,25	4,25	4,25	4,25	4,25	4,25	4,25	4,25	4,25	4,25	4,25	4,25	4,25	4,25	4,25	4,25	4,25	
	Tilt range, backward ¹⁾	deg	8	8	8	8	6	8	8	8	8	8	8	8	8	6	6	6	6	6	6	6	6	6	6	
	Load capacity at 500 mm LC	kg	3000	3000	3000	3000	3000	3000	3000	3000	3000	3000	3000	3000	3000	3000	2950	2880	2750	2650	2550	3000	2950	2880	2750	2650
C6E300H(L)I	Tilt range, forward	deg	4,25	4,25	4,25	4,25	4,25	4,25	4,25	4,25	4,25	4,25	4,25	4,25	4,25	4,25	4,25	4,25	4,25	4,25	4,25	4,25	4,25	4,25	4,25	
	Tilt range, backward ¹⁾	deg	8	8	8	8	6	8	8	8	8	8	8	8	8	6	6	6	6	6	6	6	6	6	6	
	Load capacity at 600 mm LC	kg	3000	3000	3000	3000	3000	3000	3000	3000	3000	3000	3000	3000	3000	3000	3000	3000	2950	2850	2730	3000	2950	2880	2950	2850
C6E350V(L)I	Tilt range, forward	deg	4,25	4,25	4,25	4,25	4,25	4,25	4,25	4,25	4,25	4,25	4,25	4,25	4,25	4,25	4,25	4,25	4,25	4,25	4,25	4,25	4,25	4,25	4,25	
	Tilt range, backward ¹⁾	deg	8	8	8	8	6	8	8	8	8	8	8	8	8	6	6	6	6	6	6	6	6	6	6	
	Load capacity at 500 mm LC	kg	3500	3500	3500	3500	3500	3500	3500	3500	3500	3500	3500	3500	3500	3500	3500	3440	3320	2880	2750	3500	3500	3440	3320	2880

1) Backward tilt range is 6deg on trucks with a cabin or front windshield.



Underclearance		
Mast, load	mm	95
Drive axle, load	mm	113
Steer axle, no load	mm	122
Center of wheel base, load	mm	132
Counterweight, no load	mm	110

Rated capacities at different load centres

C6E200VII			V, FV, FW					FSV, FSW						
	h ₃	mm	3000	3300	3700	4000	4500	4350	4700	5000	5500	6000	6500	
	Q at 500 (c)	kg	2000	2000	2000	2000	2000	2000	2000	2000	1950	1950	1850	
	600 (c)	kg	1810	1810	1810	1810	1810	1810	1810	1810	1760	1750	1660	
	1000 (c)	kg	1290	1290	1290	1290	1290	1290	1290	1290	1270	1260	1200	

C6E250VII			V, FV, FW					FSV, FSW						
	h ₃	mm	3000	3300	3700	4000	4500	4350	4700	5000	5500	6000	6500	
	Q at 500 (c)	kg	2500	2500	2500	2500	2500	2500	2450	2400	2300	2200	2000	
	600 (c)	kg	2200	2200	2200	2200	2200	2200	2200	2170	2080	1980	1800	
	1000 (c)	kg	1350	1350	1350	1350	1350	1350	1350	1350	1350	1350	1290	

C6E250VII			V, FV, FW					FSV, FSW				FSV		FSW	
	h ₃	mm	3000	3300	3700	4000	4500	4350	4700	5000	5500	6000	6500	6000	6500
	Q at 500 (c)	kg	2500	2500	2500	2500	2500	2500	2500	2500	2500	2450	2180	2500	2180
	600 (c)	kg	2200	2200	2200	2200	2200	2200	2200	2200	2200	2200	1950	2200	1960
	1000 (c)	kg	1350	1350	1350	1350	1350	1350	1350	1350	1350	1350	1350	1350	1350

C6E250HLII			V					FV, FW				FSV, FSW					
	h ₃	mm	3000	3300	3700	4000	4500	3000	3300	3700	4000	4350	4700	5000	5500	6000	6500
	Q at 600 (c)	kg	2500	2500	2500	2500	2500	2500	2500	2500	2500	2500	2500	2500	2450	2370	2300
	700 (c)	kg	2230	2230	2230	2230	2230	2190	2190	2190	2190	2190	2190	2190	2160	2090	
	1000 (c)	kg	1600	1600	1600	1600	1600	1600	1600	1600	1600	1600	1600	1600	1600	1600	1600

C6E300VII			V, FV, FW					FSV						FSW					
	h ₃	mm	3000	3300	3700	4000	4500	4350	4700	5000	5500	6000	6500	4350	4700	5000	5500	6000	6500
	Q at 500 (c)	kg	3000	3000	3000	3000	3000	3000	2950	2880	2700	2550	2340	3000	2950	2880	2700	2550	2340
	600 (c)	kg	2710	2710	2710	2710	2710	2550	2550	2550	2440	2300	2110	2670	2670	2560	2440	2300	2110
	1000 (c)	kg	1800	1800	1800	1800	1800	1650	1650	1650	1650	1650	1530	1800	1800	1800	1780	1670	1530

C6E300VII			V, FV, FW					FSV						FSW					
	h ₃	mm	3000	3300	3700	4000	4500	4350	4700	5000	5500	6000	6500	4350	4700	5000	5500	6000	6500
	Q at 500 (c)	kg	3000	3000	3000	3000	3000	3000	2950	2880	2750	2650	2550	3000	2950	2880	2750	2650	2550
	600 (c)	kg	2710	2710	2710	2710	2710	2550	2550	2550	2490	2390	2300	2720	2670	2610	2490	2390	2300
	1000 (c)	kg	1800	1800	1800	1800	1800	1650	1650	1650	1650	1650	1650	1800	1800	1800	1800	1730	1670

C6E300HLII			V					FV, FW				FSV						FSW					
	h ₃	mm	3000	3300	3700	4000	4500	3000	3300	3700	4000	4350	4700	5000	5500	6000	6500	4350	4700	5000	5500	6000	6500
	Q at 600 (c)	kg	3000	3000	3000	3000	3000	3000	3000	3000	3000	3000	3000	2950	2850	2730	3000	3000	3000	2950	2850	2750	2750
	700 (c)	kg	2700	2700	2700	2700	2700	2640	2640	2640	2640	2640	2640	2640	2600	2480	2650	2650	2650	2650	2650	2600	2500
	1000 (c)	kg	1950	1950	1950	1950	1950	2000	2000	2000	2000	2000	2000	2000	2000	1970	2000	2000	2000	2000	2000	2000	2000

C6E350VII			V					FV, FW				FSV, FSW					
	h ₃	mm	3000	3300	3700	4000	4500	3000	3300	3700	4000	4350	4700	5000	5500	6000	6500
	Q at 500 (c)	kg	3500	3500	3500	3500	3500	3500	3500	3500	3500	3500	3500	3440	3320	2880	2750
	600 (c)	kg	3000	3000	3000	3000	3000	3000	3000	3000	3000	3000	3100	3100	3100	2600	2480
	1000 (c)	kg	1950	1950	1950	1950	1950	2000	2000	2000	2000	2000	2000	2000	2000	1890	1800

Mast dimensions and performance

Model				C6E200VII								
Type of mast				V			FV/FW			FSV/FSW		
Performance - Standard Version												
Power mode				H	P	S	H	P	S	H	P	S
Speeds	Lifting	Full load	mm/sec	430	390	350	405	370	315	425	385	340
		No load	mm/sec	580	520	460	510	460	410	630	605	550
	Lowering	Full load	mm/sec	560	560	560	460	460	460	580	580	580
		No load	mm/sec	480	480	480	420	420	420	480	480	480
Dimensions, mm												
Load distance (Centerline of front axle to front face of forks)				420			420			446		

Model				C6E200VII								
Type of mast				V			FV/FW			FSV/FSW		
Performance - Performance Version												
Power mode				H	P	S	H	P	S	H	P	S
Speeds	Lifting	Full load	mm/sec	520	480	450	480	440	430	490	470	460
		No load	mm/sec	610	570	530	555	520	480	580	530	500
	Lowering	Full load	mm/sec	520	520	520	445	445	445	530	530	530
		No load	mm/sec	460	460	460	445	445	445	440	440	440
Dimensions, mm												
Load distance (Centerline of front axle to front face of forks)				420			420			446		

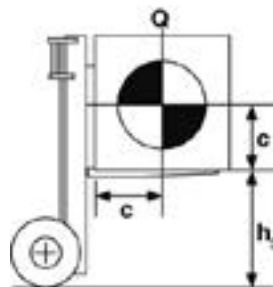
Model				C6E250V(L)II								
Type of mast				V			FV/FW			FSV/FSW		
Performance - Standard Version												
Power mode				H	P	S	H	P	S	H	P	S
Speeds	Lifting	Full load	mm/sec	380	345	300	380	335	295	380	340	300
		No load	mm/sec	580	520	460	510	460	410	630	605	550
	Lowering	Full load	mm/sec	560	560	560	460	460	460	580	580	580
		No load	mm/sec	480	480	480	420	420	420	480	480	480
Dimensions, mm												
Load distance (Centerline of front axle to front face of forks)				420			420			446		

Model				C6E250V(L)II								
Type of mast				V			FV/FW			FSV/FSW		
Performance - Performance Version												
Power mode				H	P	S	H	P	S	H	P	S
Speeds	Lifting	Full load	mm/sec	470	430	390	435	400	375	445	420	395
		No load	mm/sec	610	570	530	555	520	480	580	530	500
	Lowering	Full load	mm/sec	520	520	520	445	445	445	530	530	530
		No load	mm/sec	460	460	460	465	465	465	460	460	460
Dimensions, mm												
Load distance (Centerline of front axle to front face of forks)				420			420			446		

H - High power mode

P - Power mode

S - Standard mode



h_3 : Max. Fork Height

c: Load Center

Q: Capacity

Mast dimensions and performance

Model				C6E250HLII								
Type of mast				V			FV/FW			FSV/FSW		
Performance - Performance Version												
Power mode				H	P	S	H	P	S	H	P	S
Speeds	Lifting	Full load	mm/sec	420	390	360	365	325	300	395	365	345
		No load	mm/sec	530	490	460	500	460	440	530	510	470
	Lowering	Full load	mm/sec	360	360	360	300	300	300	530	530	530
		No load	mm/sec	480	480	480	420	420	420	460	460	460
Dimensions, mm												
Load distance (Centerline of front axle to front face of forks)				440			440			470		

Model				C6E300V(L)II								
Type of mast				V			FV/FW			FSV/FSW		
Performance - Efficiency Version												
Power mode				H	P	S	H	P	S	H	P	S
Speeds	Lifting	Full load	mm/sec	330	290	260	305	280	245	300	265	235
		No load	mm/sec	550	530	490	470	450	420	520	505	465
	Lowering	Full load	mm/sec	560	560	560	430	430	430	520	520	520
		No load	mm/sec	450	450	450	390	390	390	430	430	430
Dimensions, mm												
Load distance (Centerline of front axle to front face of forks)				440			440			470		

Model				C6E300V(L)II								
Type of mast				V			FV/FW			FSV/FSW		
Performance - Performance Version												
Power mode				H	P	S	H	P	S	H	P	S
Speeds	Lifting	Full load	mm/sec	400	370	320	350	315	285	380	350	320
		No load	mm/sec	530	500	460	500	460	440	430	510	470
	Lowering	Full load	mm/sec	560	560	560	460	460	460	520	520	520
		No load	mm/sec	450	450	450	420	420	420	450	450	450
Dimensions, mm												
Load distance (Centerline of front axle to front face of forks)				440			440			470		

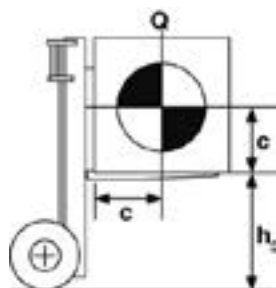
Model				C6E300HLII								
Type of mast				V			FV/FW			FSV/FSW		
Performance - Performance Version												
Power mode				H	P	S	H	P	S	H	P	S
Speeds	Lifting	Full load	mm/sec	400	370	320	350	315	285	380	350	320
		No load	mm/sec	530	500	460	500	465	440	530	510	470
	Lowering	Full load	mm/sec	560	560	560	460	460	460	520	520	520
		No load	mm/sec	450	450	450	420	420	420	450	450	450
Dimensions, mm												
Load distance (Centerline of front axle to front face of forks)				440			440			470		

Model				C6E350VII								
Type of mast				V			FV/FW			FSV/FSW		
Performance - Performance Version												
Power mode				H	P	S	H	P	S	H	P	S
Speeds	Lifting	Full load	mm/sec	390	360	320	340	305	275	370	340	300
		No load	mm/sec	530	500	460	500	460	440	530	510	470
	Lowering	Full load	mm/sec	560	560	560	460	460	460	520	520	520
		No load	mm/sec	450	450	450	420	420	420	450	450	450
Dimensions, mm												
Load distance (Centerline of front axle to front face of forks)				440			440			470		

H - High power mode

P - Power mode

S - Standard mode



h₃: Max. Fork Height
 c: Load Center
 Q: Capacity

Fork availability

Unit: mm							
Model	Length	Width	Thickness	Long forks	Width	Thickness	Long forks
C6E200VII	1000	100	40	○	120	35	●
	1100	100	40	●	120	35	●
	1200	100	40	●	120	35	●
	1300	100	40	●	120	35	●
	1400	100	40	●	120	35	●
	1500	100	40	●	120	35	●
	1600	100	40	●	120	35	●
C6E250VII C6E250VLII	1000	100	40	○	120	40	●
	1100	100	40	●	120	40	●
	1200	100	40	●	120	40	●
	1300	100	40	●	120	40	●
	1400	100	40	●	120	40	●
	1500	100	40	●	120	40	●
	1600	100	40	●	120	40	●
C6E250HLII C6E300HLII	1000	100	45	—	125	45	●
	1100	100	45	—	125	45	●
	1200	100	45	○	125	45	●
	1300	100	45	●	125	45	●
	1400	100	45	●	125	45	●
	1500	100	45	●	125	45	●
	1600	100	45	●	125	45	●
C6E300VII C6E300VLII	1000	100	45	○	125	45	●
	1100	100	45	●	125	45	●
	1200	100	45	●	125	45	●
	1300	100	45	●	125	45	●
	1400	100	45	●	125	45	●
	1500	100	45	●	125	45	●
	1600	100	45	●	125	45	●
C6E350VII	1000	—	—	—	125	45	○
	1100	—	—	—	125	45	●
	1200	—	—	—	125	45	●
	1300	—	—	—	125	45	●
	1400	—	—	—	125	45	●
	1500	—	—	—	125	45	●
	1600	—	—	—	125	45	●

Note: Large forks are not available on C6E250HLII

Forkbar and backrest availability

Model	H	L W	Unit: mm		
			1070	1170	1470
C6E200V(L)II, 250VLII, 300VII, C6E350VII, C6E250HLII, 300HLII	1220		●	●	●



L: Outside width of load backrest
W: Length of forkbar
H: Height of load backrest

Mast interchangeability

Model	Mast				
	V	FV	FSV	FW	FSW
C6E200VII, C6E250VII, C6E250VLII	●	●	●	●	●
C6E250HLII	●	●	●	●	●
C6E300VII, C6E300VLII	●	●	●	●	●
C6E350VII	●	●	●	●	●
C6E300HLII	●	●	●	●	●

● Interchangeable within model group

Tilt cylinders need to be adjusted for mast interchangeability

Mast weight

Mast		V					FV				FW			
Maximum fork height	mm	3000	3300	3700	4000	4500	3000	3300	3700	4000	3000	3300	3700	4000
C6E200VII, C6E250VII, C6E250VLII	kg	540	550	590	630	680	520	550	650	690	600	620	680	730
C6E250HLII	kg	620	660	670	720	780	670	690	750	800	630	670	730	800
C6E300VII, C6E300VLII	kg	640	670	690	740	800	670	690	750	800	630	670	730	800
C6E300HLII	kg	630	660	680	730	790	730	750	800	850	630	670	730	800
C6E350VII	kg	640	670	690	740	800	730	750	800	850	630	670	730	800

Mast		FSV						FSW					
Maximum fork height	mm	4300	4700	5000	5500	6000	6500	4300	4700	5000	5500	6000	6500
C6E200VII, C6E250VII, C6E250VLII	kg	870	880	900	930	970	1010	800	870	900	960	1000	1100
C6E250HLII	kg	890	910	940	980	1050	1190	890	930	870	1010	1050	1150
C6E300VII, C6E300VLII	kg	890	910	940	980	1050	1190	890	930	870	1010	1050	1150
C6E300HLII	kg	910	940	980	1050	1190	1220	890	930	870	1010	1050	1150
C6E350VII	kg	910	940	980	1050	1190	1220	890	930	870	1010	1050	1150

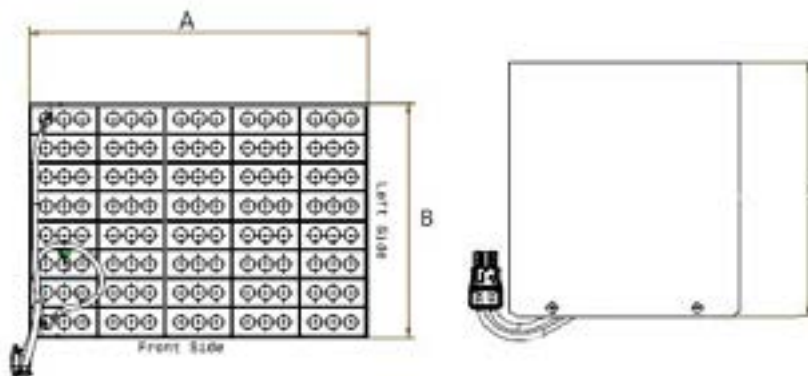
Note: The figures are without load backrest and forks. The figures presented in this chart have been rounded off to the nearest number (multiple of 5 kg).

Battery availability

Model	Voltage	DIN Type	Capacity [AH5HR]	DIN battery case dimensions (mm)			DIN battery weight \pm 5%	Toyota min. required batt. weight	Toyota max. allowed batt. weight	Operating time *
				Length (A)	Width (B)	Height (h2)	kg	kg	kg	
C6E200VII	80	4PzS500L	500	708	1026	627	1210	1210	1270	6h9min
		4PzS560L	560	711	1028	784	1558	1558	1636	TBD
		4PzS620L	620	711	1028	784	1584	1584	1665	7h53min
C6E250VII	80	4PzS560L	560	711	1028	784	1558	1558	1636	7h01min
		4PzS620L	620	711	1028	784	1558	1584	1665	7h48min
C6E250VLII	80	5PzS700L	700	855	1028	784	1863	1863	1956	8h39min
		5PzS775L	775	855	1028	784	1863	1863	2002	9h40min
C6E250HLII	80	5PzS700L	700	855	1028	784	1863	1863	1956	8h28min
		5PzS775L	775	855	1028	784	1863	1863	2002	9h27min
C6E300VII	80	4PzS560L	560	711	1028	784	1558	1558	1636	6h34min
		4PzS620L	620	711	1028	784	1558	1584	1665	7h24min
C6E300VLII	80	5PzS700L	700	855	1028	784	1863	1863	1956	8h36min
		5PzS775L	775	855	1028	784	1863	1863	2002	9h36min
C6E300HLII	80	5PzS700L	700	855	1028	784	1863	1863	1956	8h17min
		5PzS775L	775	855	1028	784	1863	1863	2002	9h14min
C6E350VII	80	5PzS700L	700	855	1028	784	1863	1863	1956	7h59min
		5PzS775L	775	855	1028	784	1863	1863	2002	8h54min

* According to Toyota cycle. Computed values for operating time are for S-mode. Indication for P-mode: 80% of S-mode. Indication for H-mode: 65% of S-mode.

Battery connector: DIN 43589 Auxiliary Electrode (320A).



Tyre availability

		Pneumatic shaped cushion											
		Front						Rear					
		23x9-10		23x10-12		315x45-12		18x7-8		200/50-10			
		SIT						SIT					
		6.50F-10		8.00G-12		10.00G-12		4.33R-8		6.50F-10			
		1195		1195		1299		—		—			
		986		946		1009		940		962			
Model/Brand		Solideal	Marangoni	Continental	Solideal	Marangoni	Continental	Solideal	Marangoni	Continental	Solideal	Marangoni	Continental
C6E200VII		○	●	●	—	—	—	○	●	●	—	—	—
C6E250VII		○	●	●	—	—	—	○	●	●	—	—	—
C6E250VLI		○	●	●	—	—	—	○	●	●	●	●	●
C6E250HLI		—	—	—	○	●	●	○	●	●	●	●	●
C6E300VII		—	—	—	○	●	●	○	●	●	—	—	—
C6E300VLI		—	—	—	○	●	●	○	●	●	●	●	●
C6E300HLI		—	—	—	○	●	●	○	●	●	○	●	●
C6E350VII		—	—	—	—	—	—	—	—	—	○	●	●

Non marking PSC tires available for all size/brand mentioned above (except for NA).

		PN (Pneumatic)	
		Front	Rear
Tyre size		23x10-12	18x7-8
Rim spec		Side ring	Side ring
Rim size		8.00G-12	4.33R-8
Overall width (mm)		1250	—
Tread, front (mm)		990	940
Model/Brand		Marangoni	
C6E200VII		●	●
C6E250VII		●	●
C6E250VLI		●	●
C6E250HLI		●	●
C6E300VII		●	●
C6E300VLI		●	●
C6E300HLI		—	—
C6E350VII		—	—